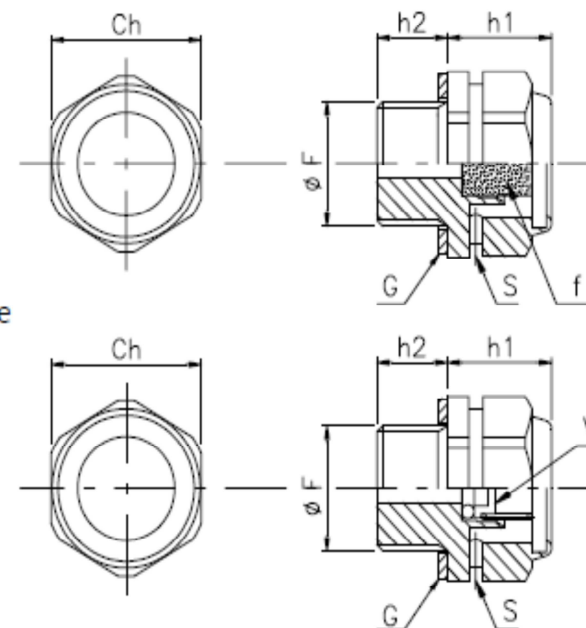


# KMF - BRASS FILLER PLUGS WITH FILTER

# KMV - BRASS FILLER PLUGS WITH VENT VALVE



G = Fiber gasket  
 S = Breather holes  
 f = Air Filter  
 V = One-way check valve



- Threaded metal plugs made from brass, FASIT202 fiber seal ( aluminium washers available)
- Two breather holes are located under the hex head, providing an adequate airflow capacity.
- KMF model is equipped with a metal filter inside ( filtration degree 200 microns ) to avoid pollution of the oil
- The KMV version is used when venting of the reservoir is required, only in case of internal over-pressurization.

- The pre-tensioned spring of the valve will allow the valve disc to be lifted from its seat at a pressure of **0.4 bar (± 0,1)**, thus allowing the air to escape : when the pressure is reduced after venting, the valve will close and stop air to entering the reservoir, it will also prevent oil overflow through the plug's valve due to oil movement whilst in the closed position.
- These plugs are applied in gear reducers, gearboxes, bearing housings and transmission of all kinds

Code	F	Ch	h1	h2	P
KMF-14 KMV-14	G 1/4"	18	15,5	9	37
KMF-38 KMV-38	G 3/8"	22	14,5	10	33
KMF-12 KMV-12	G 1/2"	27	14,5	10	50