



RIJKERS
HYDRAULIEK



AIR/OIL HEAT EXCHANGERS

SERIE HE

Series HE air/oil heat exchangers have been designed to be used on the return line of the hydraulic systems.

The special structure of the cooler element in alu alloy increases the conductivity quality and the high thermic exchange and a good resistance to pressure.

Series HE offers various types of motors: AC single-phase and three-phase, DC 12-24V. Contact us to develop the best solution for your application.

Radiating mass data

Material Aluminium

Nominal pressure 20 bar

Test pressure 30 bar

Max temperature 120°C

Fluid compatibility

Mineral oils, hl, hlp, water-oil emulsion

Installation

We recommend to install a by-pass valve in parallel to the heat exchanger, for its protection during the starting up.

Make sure there is no obstacle to the air flow

Maintenance

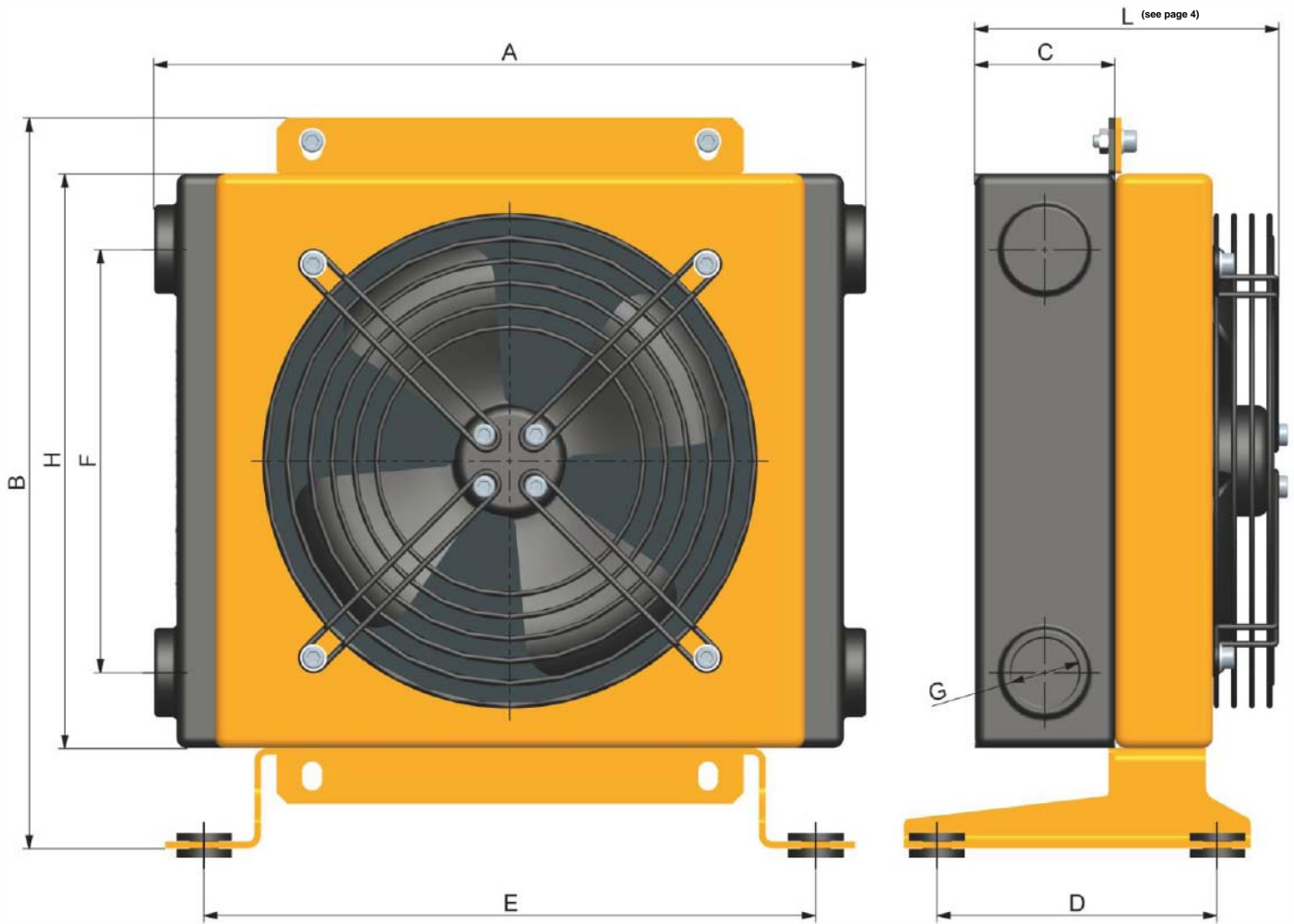
Oil side cleaning

Flushing with a detergent or a degreasing product compatible with aluminium, eliminates the dirt. To remove the residuals, use compressed air.

Air side cleaning

It can be done by using compressed air or water and paying attention to the jet direction for not spoiling the vanes. If oil or grease has to be removed, clean with a jet of steam or hot water. Make sure that the electric motor is disconnected and properly protected.

CJ9F!5 @@8 =A9BG=CBG



<i>Series</i>	Oil flow	<i>Dimensions</i>							
		A	B	C	D	E	F	G	H
HE1	5÷40 lt/min	225	245	45	126	118	175	1/2"	210
HE2	20÷80 lt/min	320	280	45	126	275	155	1"	230
HE3	30÷100 lt/min	320	280	63	126	275	155	1"	230
HE4	40÷120 lt/min	380	360	63	126	325	215	1"	290
HE5	35÷140 lt/min	440	420	63	126	390	280	1"	350
HE6	40÷160 lt/min	540	530	63	126	485	385	1" 1/4	465
HE7	50÷180 lt/min	600	660	63	181	400	600	1" 1/4	650

TECHNICAL FUTURES

Series	Type	Frequency	Voltage	RPM	Power KW	Ø Fan	Q air m ³ /h	L
HE1	01	50/60 Hz	230 V	2650/3000	0,050/0,060	170	500	125
	03	50/60 Hz	230/400 V	2750/3100	0,045/0,043	170	500	125
	12	DC	12V	4000	0,080	167	550	158
	24	DC	24V	4100	0,080	167	550	158
HE2	01	50/60 Hz	230 V	2600/2900	0,064/0,078	200	890	152
	03	50/60 Hz	230/400 V	2600/2900	0,068/0,070	200	890	152
	12	DC	12V	3100	0,100	225	1200	158
	24	DC	24V	3000	0,100	225	1200	158
HE3	01	50/60 Hz	230 V	2600/2900	0,064/0,078	200	890	152
	03	50/60 Hz	230/400 V	2600/2900	0,068/0,070	200	890	152
	12	DC	12V	3100	0,100	225	1200	158
	24	DC	24V	3000	0,100	225	1200	158
HE4	01	50/60 Hz	230 V	2550/2750	0,110/0,160	250	1780	169
	03	50/60 Hz	230/400 V	2500/2650	0,100/0,140	250	1780	169
	12	DC	12V	3000	0,100	280	1600	176
	24	DC	24V	3000	0,100	280	1600	176
HE5	01	50/60 Hz	230 V	2700/3000	0,230/0,350	300	3290	183
	03	50/60 Hz	230/400 V	2600/2850	0,190/0,270	300	3290	183
	12	DC	12V	3000	0,175	305	2300	219
	24	DC	24V	3000	0,175	305	2300	219
HE6	01	50/60 Hz	230 V	1440/1700	0,160/0,240	400	4000	223
	03	50/60 Hz	230/400 V	1450/1690	0,130/0,180	400	4000	223
	12	DC	12V	2500	0,200	385	3500	229
	24	DC	24V	2500	0,200	385	3500	229
HE7	03	50/60 Hz	230/400 V	1380/1840	0,200/0,280	450	6830	290
	12	DC	12V	3000	0,145 x 2	280	4200	207
	24	DC	24V	3000	0,145 x 2	280	4200	207
	B	<i>Blowing fan - standard</i>						
	S	<i>Suction fan - on request</i>						

7 F C G G ' F 9 : 9 F 9 B 7 9 ' H 5 6 @ 9 G

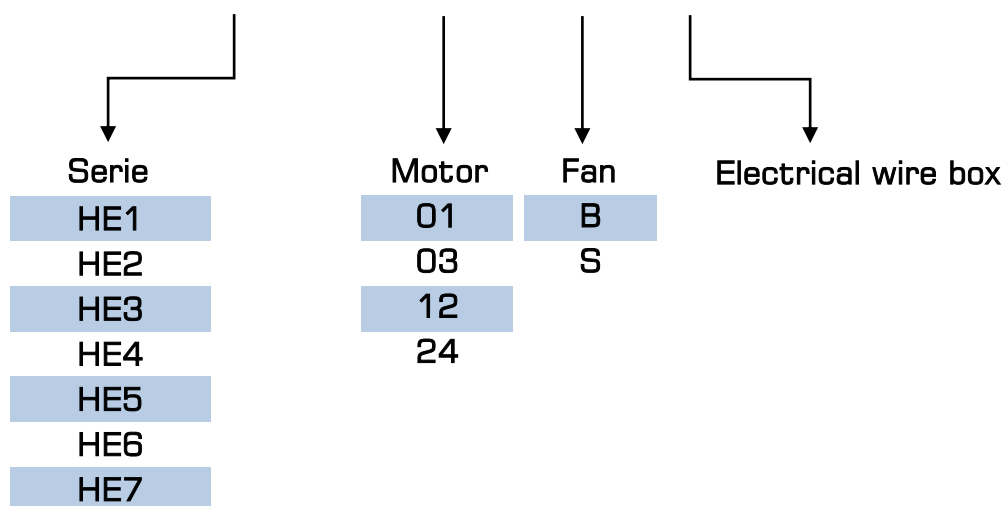
RH TYPE	Emmegi	OMT	Sesino
HE1	AIR 2010	SS10	APL170
HE2	AIR 2015	SS15	CA178/4 - APL240
HE3	AIR 2020	SS20	AP300E - APL263 - APL300
HE4	AIR 2024	SS24	AP300/2E - APL300/2
HE5	AIR 2030	SS30	AP430/E - APL430
HE6	AIR 2040	SS40	AP43/2E - APL430/2
HE7	AIR 2050	SS50	

OPTIONAL: FIXED TEMPERATURE SWITCH

<i>Switch part number</i>	040 On request	050 GtcW	060 GtcW	070 On request	080 On request
<i>Working temperature</i>	40-30° C	50-40° C	60-50° C	70-60° C	80-70° C
<i>Contact</i>	NA	NA	NA	NA	NA

HOW TO ORDER:

HE2 12 S E



In order to constantly improve our products quality, we take the right to make changes to the catalogues at anytime without notice. Over-all dimensions and technical features are not binding. Customers have the responsibility to continuously check all the information in the catalogues. This catalogue cancels and replaces the previous ones.



RIJKERS

HYDRAULIEK



RIJKERS HYDRAULIEK BV

Wielhovenstraat 58a
3316 BK Dordrecht
THE NETHERLANDS

T +31 (0)180 462 744
E info@rijkers-hydrauliek.nl
W www.rijkers-hydrauliek.nl