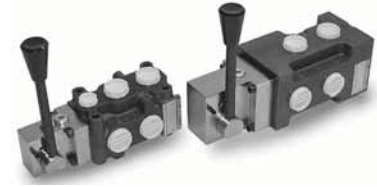




6/2 WAY DIRECTIONAL VALVES KV

- NG 6, 10
- Up to 350 bar [5 076 PSI]
- Up to 60 L/min [15.8 GPM] for NG 6
- Up to 120 L/min [31.7 GPM] for NG 10
- Threaded connections to ISO 9974 (Metric), ISO 1179 (BSPP/Gas).



KV-6/2-6-R..., KV-6/2-10-R...

Operation

Directional valves type KV with direct mechanical operation by means of a lever control the direction of the hydraulic medium flow. They are mostly used as link between two consumers and the basic directional valve, when we want to control both consumers alternately by means of one basic directional valve.

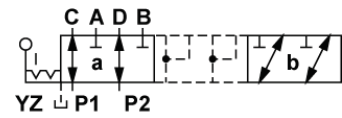
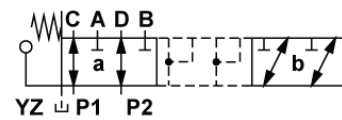
There are two types of operation:

1/ With control spool not held in the operating position (the control spool returns to position "a" on ceasing to apply force to the mechanism - type KV-../.-R).

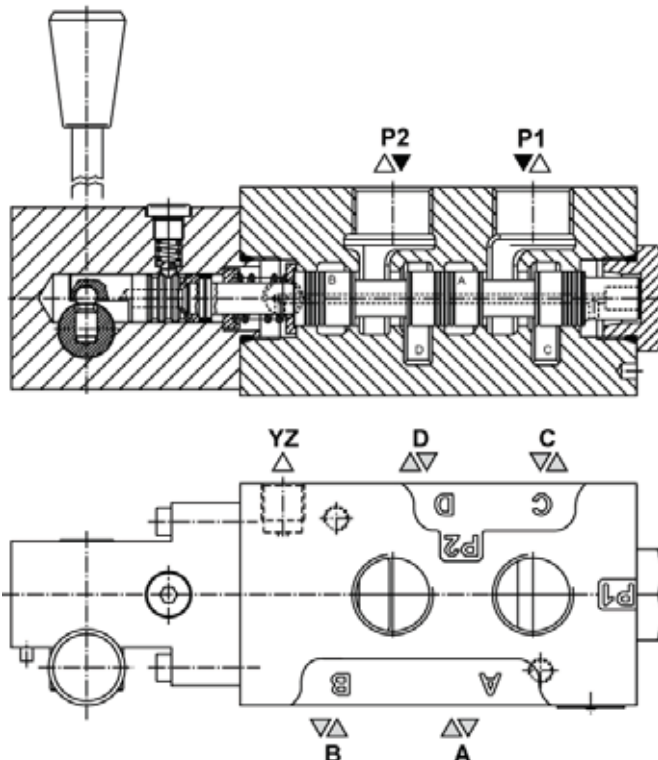
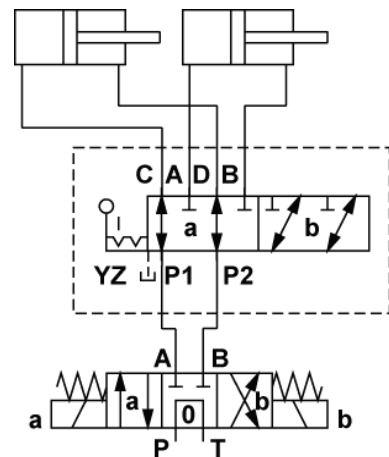
2/ With control spool held (detent) in the operating position (the control spool remains in the operating position on ceasing to apply force to the control mechanism lever - type KV-../.-RA).

Hydraulic symbols

Spool types



Mounting example



Mechanically operated

Hydraulically operated

Electrically operated

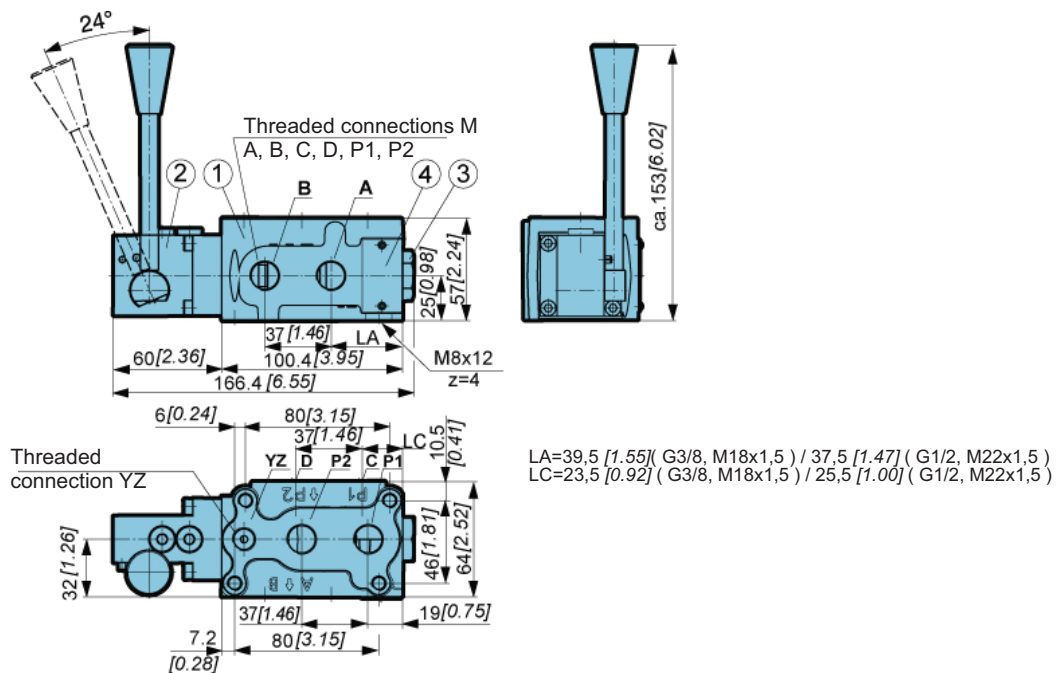


Features

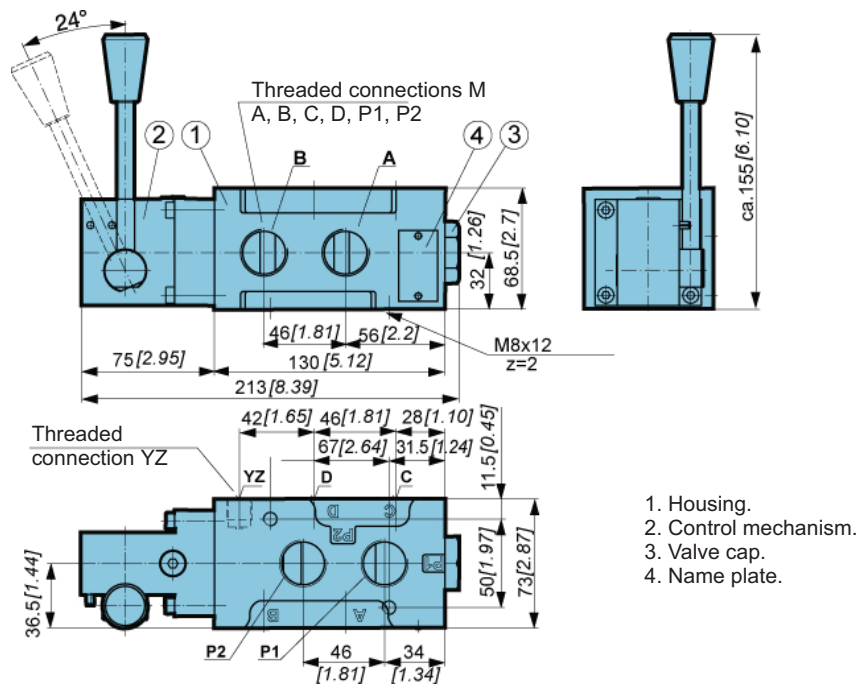
Size		6	10
Flow rate	L/min [GPM]	60 [15.8]	120 [31.7]
Operating pressure	With YZ	bar [PSI]	
	Without YZ	bar [PSI]	
Viscosity range	mm ² /s [SUS]	15 to 380 [69.5 to 1 760]	
Oil temperature range	°C [°F]	-20 to +70 [-4 to 158]	
Filtration		NAS 1638	8
Mass	Kg [lb]	2,4 [5.3]	5,3 [11.7]
Mounting position		Optional	

Dimensions

Size 6



Size 10

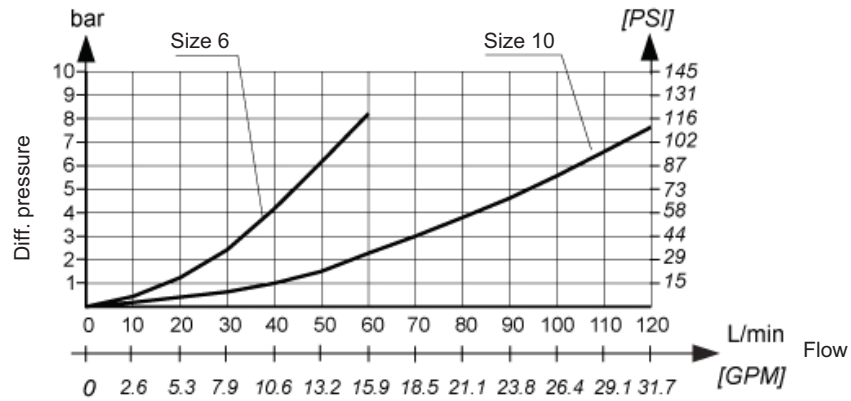


- 1. Housing.
- 2. Control mechanism.
- 3. Valve cap.
- 4. Name plate.



ΔP-Q Performance curves

Measured at 50°C [122°F] and viscosity of 32 mm²/s [148 SUS].



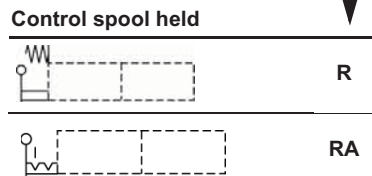
Mechanically operated

Model code

K V - 6 / 2 - [] - [] - [] - [] - [] - *

Size

Size 6	6
Size 10	10



Threaded connections (M ; YZ)

Size	Threaded connections	Designation
Size 6	M18x1,5 ; M14x1,5	No designation
	M22x1,5 ; M14x1,5	M22
	G3/8 ; G1/4	G3/8
	G1/2 ; G1/4	G1/2
Size 10	3/4-16 UNF-2B ; 9/16-18 UNF-2B	SAE 8 ; SAE 6
	M22x1,5 ; M14x1,5	No designation
	M27x1,5 ; M14x1,5	M27
	G1/2 ; G1/4	G1/2
Size 10	G3/4 ; G1/4	G3/4
	7/8-14 UNF-2B ; 9/16-18 UNF-2B	SAE 10 ; SAE 6

Drainage

Without YZ	No designation
With YZ	YZ

Seal type

NBR seals for mineral oil HL, HLP to DIN 51524	No designation
FPM seals for HETG, HEES, HEPG to VDMA 24568 and ISO 15380	E

Special requirements to be briefly specified

Hydraulically operated

Electrically operated