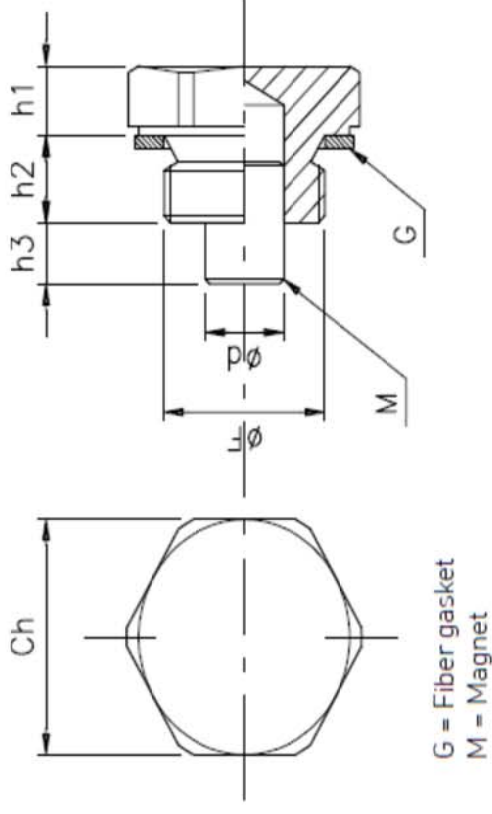


TMA - ALUMINIUM DRAIN PLUGS WITH MAGNET



-Hex plugs manufactured from aluminium 11S, complete with FASIT 202 fiber gasket (aluminium washer available as an option)

-These plugs are fitted to the bottom of the reservoir or tank, and will collect ferrous particles that are floating in the oil, helping to protect pumps, valves and cylinders

-This plug is equipped with a pressed-in cylindrical magnet, located in the base of the plug

Code	Ch	F	d	h1	h2	h3
TMA-14	19	G 1/4"	5	7	10	6
TMA-38	22	G 3/8"	8	7	10	7
TMA-12	27	G 1/2"	10	8	10	7
TMA-34	34	G 3/4"	13	8	10	7
TMA-1	40	G 1"	13	8	14	7