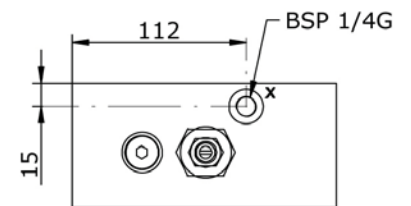
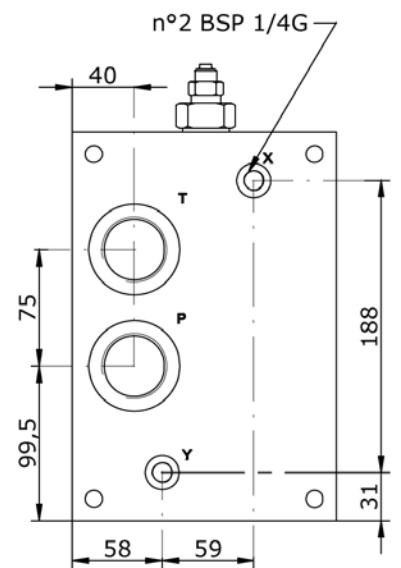
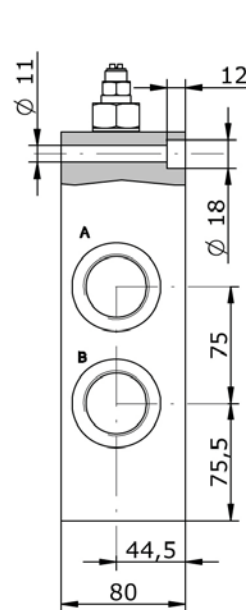
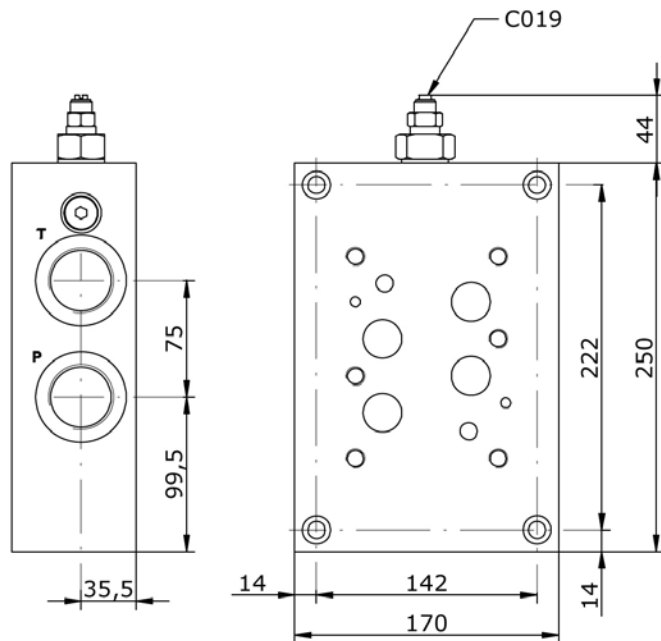
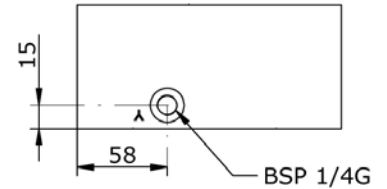
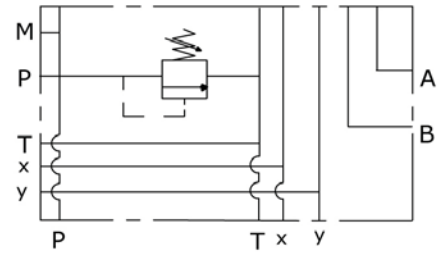
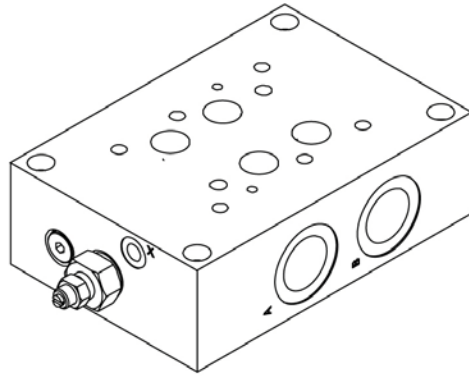


Schema idraulico  
Hydraulic diagram



**E\_ 25 - 01 - - - -**

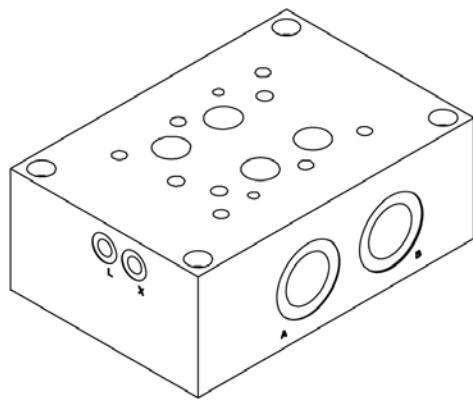
**S** = STEEL  
**A** = ALUMINUM

**114** = 1.1/4G  
**112** = 1.1/2G

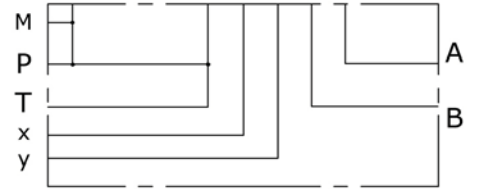
**0** = WITHOUT RELIEF VALVE  
**1** = WITH RELIEF VALVE  
**2** = RELIEF VALVE READY

**0** = WITHOUT RELIEF VALVE  
**1** = 0-250 BAR  
**2** = 200-350 BAR

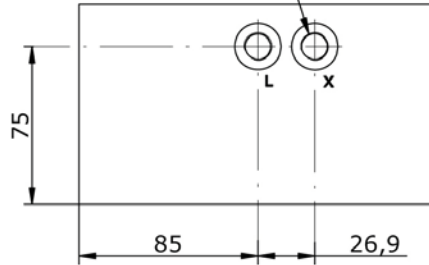
**BASE CETOP 8 A-B-P LATERALI 1.1/4", T 1.1/2"**  
**SUB-PLATE CETOP 8 A-B-P PORTS ON SIDE 1.1/4", T 1.1/2"**



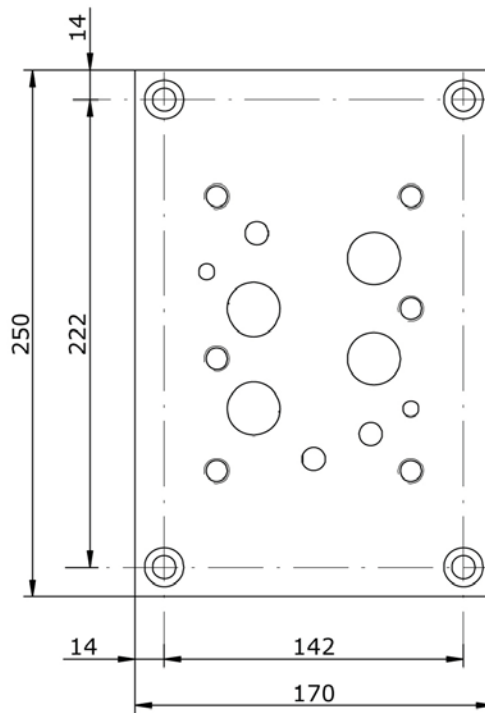
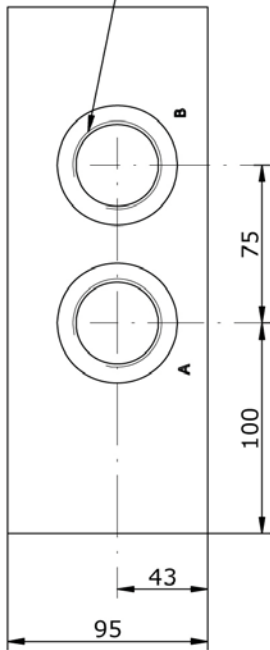
Schema idraulico  
Hydraulic diagram



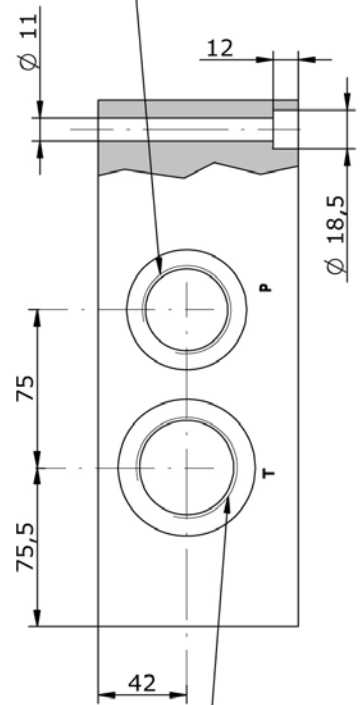
n°2 BSP 1/4G



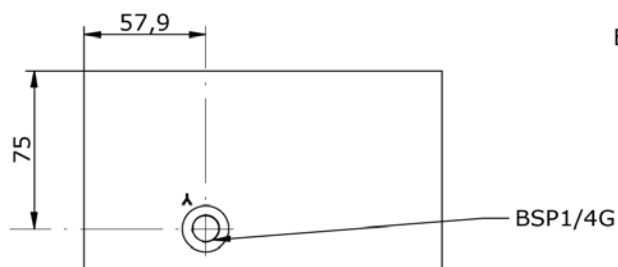
n°2 BSP 1.1/4G



BSP 1.1/4G



BSP1.1/2G



**E\_ 25 - 05 - 114**

**S = STEEL**  
**A = ALUMINIUM**