



3/2 WAY DIRECTIONAL VALVES KVC

- NG 10
- Up to 350 bar [5 076 PSI]
- Up to 100 L/min [26.4 GPM]
- Direct in-line mounting.
- Plug-in connector for solenoids to ISO 4400.
- Threaded connections to ISO 9974 (Metric), ISO 1179 (BSPP/Gas), ISO 11926 (UNF).
- Protection of solenoid IP65 to EN 50529 / IEC 60529.



KVC-3/2-10

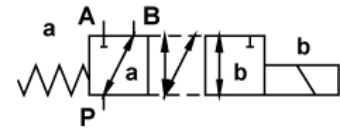
Operation

Directional valves type KVC-3/2-10 with direct solenoid operation are used to control the direction of hydraulic fluid flow.
 Type KVC-3/2-10 is a reduced version of type KV-6/2. It is used for alternate control of two one-pipe working units (e.g. Plunger) with common, main directional valve.

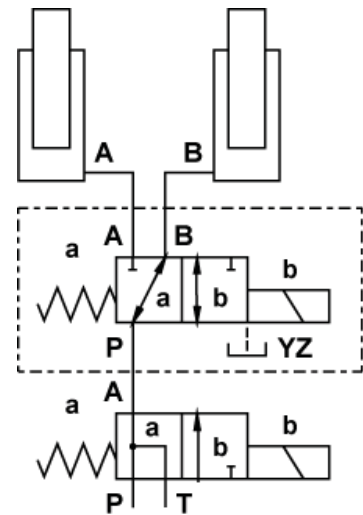
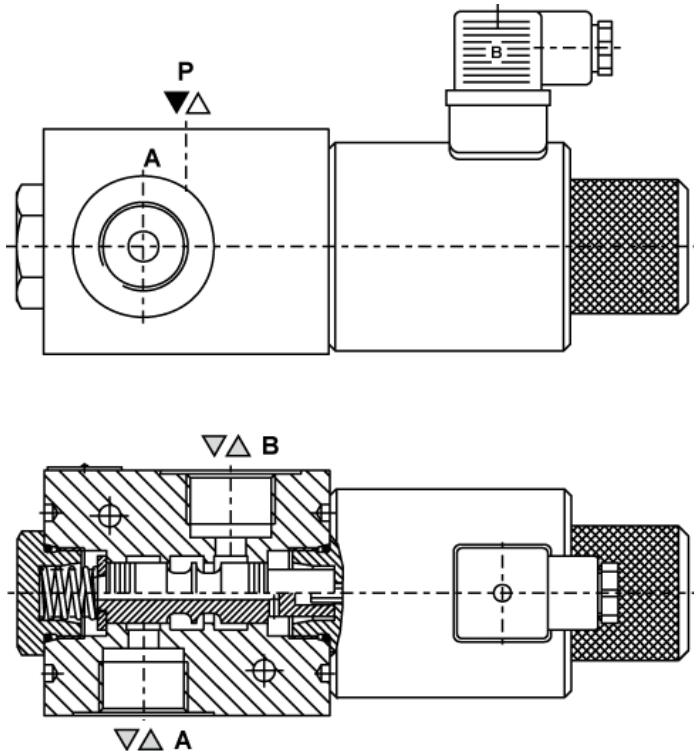
It is also very proper as bypass valve.

The change-over can also be done manually by pressing the emergency hand operator.

Hydraulic symbol



Mounting example



Mechanically operated

Hydraulically operated

Electrically operated



Features

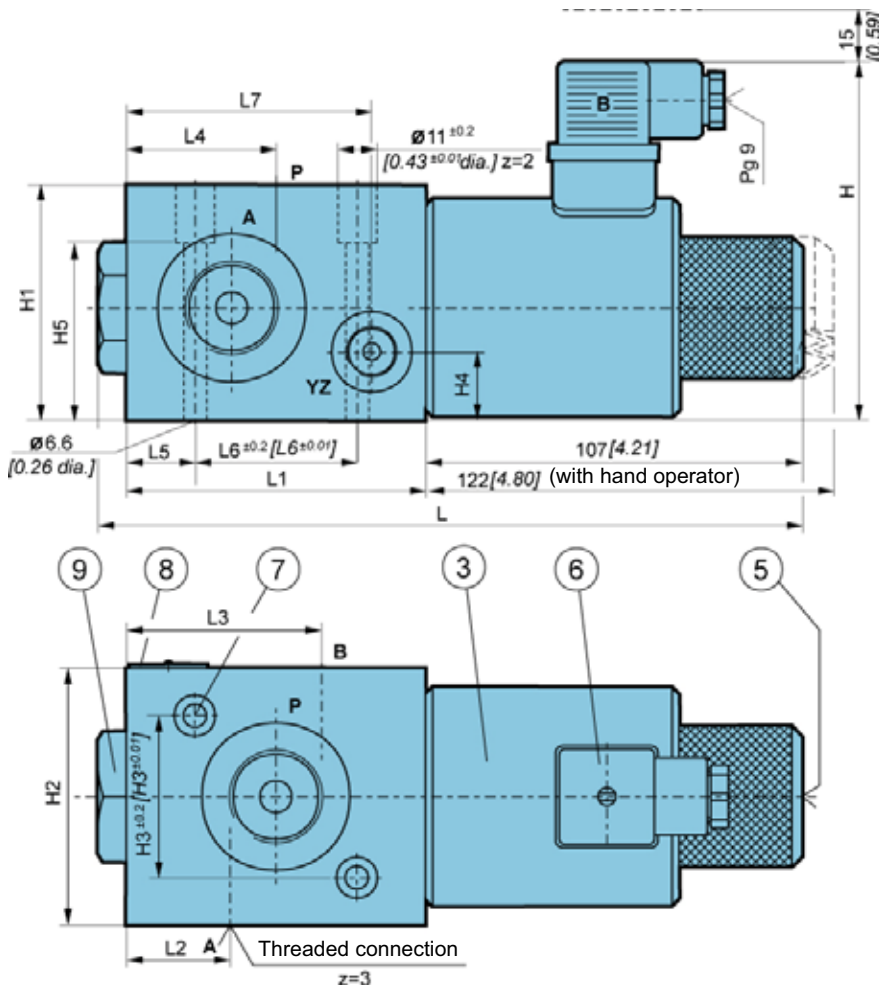
Hydraulic

Size		10
Flow rate	Without drainage	60 [15.8]
	With drainage	100 [26.4]
Operating pressure	Without drainage	250 [3 625]
	With drainage	350 [5 076]
Oil temperature range	°C [°F]	-20 to +70 [-4 to +158]
Viscosity range	mm ² /s [SUS]	15 to 380 [3.24 to 82]
Mounting position		Optional
Mass	Without drainage	5,6 [12.34]
	With drainage	7,1 [15.65]
Filtration	NAS 1638	8

Electrical

Supply voltage	V	12, 24 DC
Power	W	45
Switching frequency	1/h	15000
Ambient temperature	°C [°F]	to +50 [to +122]
Coil temperature	°C [°F]	to +180 [to +356]
Duty cycle		Continuous

Dimensions



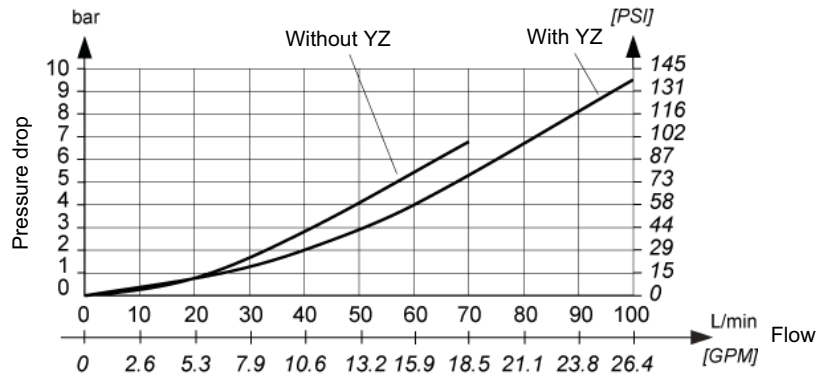
Dimensions	Without YZ	With YZ
L	200 [7.87]	209 [8.22]
L1	85 [3.34]	94 [3.70]
L2	29,5 [1.16]	31,5 [1.24]
L3	55,5 [2.18]	62,5 [2.46]
L4	42,5 [1.67]	47 [1.85]
L5	19,5 [0.76]	18 [0.71]
L6	46 [1.81]	40 [1.57]
L7	-	79,5 [3.13]
H	104 [4.09]	105 [4.13]
H1	67 [2.63]	74 [2.91]
H2	73 [2.87]	90 [3.54]
H3	46 [1.81]	66 [2.60]
H4	-	33 [1.30]
H5	50,5 [1.98]	31 [1.22]

- 3. Solenoid "b" MR-060
- 5. Emergency hand operator
- 6. Plug-in connector "b" -black
- 7. Fixing screws:
-without YZ: 2 x M6x60 to ISO 4762-10.9
-with YZ: - 2 x M6x40 to ISO 4762-10.9
- 8. Nameplate
- 9. Valve cap

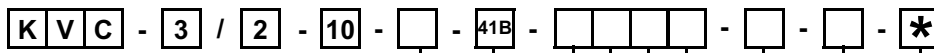


ΔP-Q Performance curves

Measured at 50°C [122°F] and viscosity of 32 mm²/s [148 SUS].



Model code



Hand operator

Without hand operator: No designation
 With hand operator: **G**

Spool type



Supply voltage

Direct voltage 24V: No designation
 Direct voltage 12V: **12 DC**

Connector type

EN 175301-803 without signal lamp: No designation
 EN 175301-803 with signal lamp: **L**
 EN 175301-803 without connector: **K**
 AMP Junior timer without connector: **M**

Overvoltage

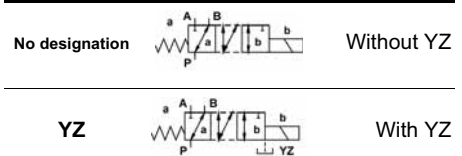
Without overvoltage protection: No designation
 With overvoltage protection: **T**

Special requirements to be briefly specified

Seal type

No designation: NBR seals for mineral oil HL, HLP to DIN 51524
E: FPM seals for HETG, HEES, HEPG to VDMA 24568 and ISO 15380

Drainage



Threaded connections A,B,P ; YZ

No designation	M18x1,5 ; -
M22	M22x1,5 ; -
M20	M20x1,5 ; -
3/8	G3/8 ; -
1/2	G1/2 ; -
3/4	G3/4 ; -
3/4	G3/4 ; G1/4
SAE 12 ; SAE 6	1 1/16-12 UNF-2B ; 9/16-18 UNF-2B

Mechanically operated

Hydraulically operated

Electrically operated