

NEW

Hydraulic Halyard winches

for 28" to 34" sailing yachts

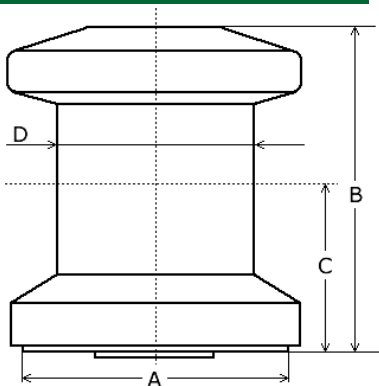
with "build in" hydromotor

- Under decks **NO LOST** of **HEADSPACE**.
- Total winch (excl. motor) fabricated from **STAINLESS STEEL AISI-316** and provided with **SALTWATER RESISTANT** iglidur-x bearings.
- **MAINTENANCE FREE CONSTRUCTION**.
- **EXCHANGING** with the most other hand driven winches from the same size is **POSSIBLE**.



Winch dimensions and weight :

Base dia. :	A= 120 mm
Height :	B= 158 mm
Line entry :	C= 84 mm
Drum dia. :	D= 85 mm
Weight :	9,1 Kg.

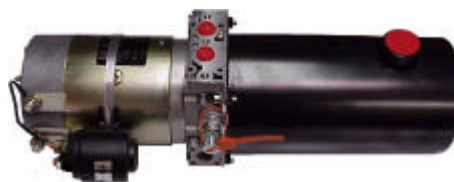


Technical specifications :

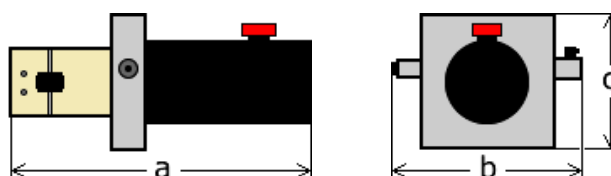
Winch mounting :	5x M6 screws
Oil connection hydromotor :	2x 3/8" BSP
Line speed :	+/- 18 mtr./min.
Max. line pull :	+/- 165 Kg.
Max. working pressure (Pmax.) :	+/- 150 bar
Max. oil flow (Qmax.) :	+/- 3,6 Ltr./min.

Hydraulic power-pack :

Power supply :	12 or 24V-DC
Max. current drain at 12V-DC :	150 Amps.
Max. current drain at 24V-DC :	70 Amps.
Tank capacity	3 liter netto
Hydraulic oil type	ISO 32 - 46 Grade



Max. built in length :	a = +/- 645 mm
Max. built in width :	b = +/- 240 mm
Max. built in height :	c = +/- 150 mm



>>> See next page, for a complete winch-set >>>



NEW

Complete winch-set, consisting of:

- Hydraulic winch.
- Hydraulic power-pack designed for one-way rotation of the winch.
Including: - electric valve, voltage: 12 or 24V-DC.
- relief valve (factory setting approx. 150 bar).
- Electromotor complete with start-relay.
- Push button control with safety-cap.
- Manual with electric and hydraulic CAD drawings.
- Not included: electric cables, hydraulic hoses and couplings.

For more information and/or price,
call our marine line: 0031 180-413440

Delivery time : Approx. 3 á 4 working weeks.

Delivery : Delivery Duty Paid at your adress in The Netherlands.
Outside The Netherlands on request.

Extra possibilities:

- Winch handle connection for manual operation.
- Hydraulic hoses, assembled in our workshop, in all customers required lengths.
- Hydraulic couplings.
- Hydraulic power-pack designed for two-way directions of the winch,
including: 2nd push button control with safety-cap.

Your supplier :

RIJKERS HYDRAULIEK

Keurmeesterstraat 9c - 2984 BA RIDDERKERK

Postbus 1012 – 3330 CA ZWIJNDRECHT

Telefoon: 0180 413440 – Telefax: 0180 462724

E-mail: info.nautisch@rijkers-hydrauliek.nl

Website: www.rijkers-hydrauliek.nl